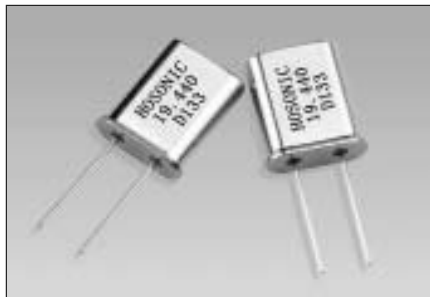




• HC-49U Series



The HC-49U series is an industry standard AT cut crystal housed in a HC-49U package. It is our standard resistance weld type quartz crystal.

FEATURES

- Low Cost
- Industry Standard
- Wide Frequency Range
- Excellent Aging
- 'AT' Cut Crystal

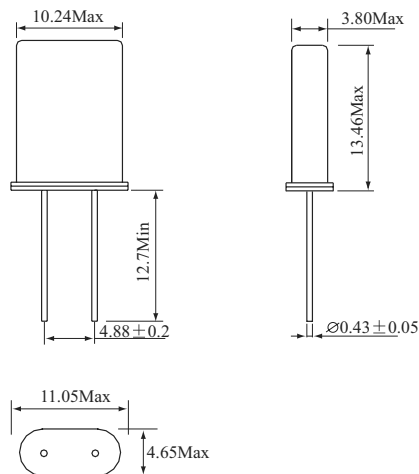
Electrical Specifications

Parameter	Symb	Condition	Min	Typ	Max	Units
Frequency Range	F ₀		1.8432		125	MHz
Frequency Tolerance	ΔF/ F ₀	AT 25°C	±10	±30	±50	ppm
Temperature Stability	TC	REF TO 25°C	±10	±30	±50	ppm
Operating Temperature Range	T _{OPR}		-20		+70	°C
Storage Temperature Range	T _{STG}		-40		+85	°C
Shunt Capacitance	C ₀				7	pF
Load Capacitance	CL	Customer Specified	10		Series	pF
Insulator Resistance	IR	100V _{DC}	500			MΩ
Drive Level	DL			100	500	μW
Aging	F _a	AT 25°C, per year	-5.0		+5.0	ppm

Equivalent Series Resistance(ESR) and Mode of Vibration(Mode)

Frequency Range(MHz)	Max ESR(Ω)	Mode	Frequency Range(MHz)	Max ESR(Ω)	Mode
1.8432 to 1.999	650	Fundamental	6.000 to 7.999	50	Fundamental
2.000 to 2.999	500	Fundamental	8.000 to 12.999	35	Fundamental
3.000 to 3.499	250	Fundamental	13.000 to 32.000	25	Fundamental
3.500 to 3.999	150	Fundamental	24.000 to 29.999	60	3 rd Overtone
4.000 to 4.999	100	Fundamental	30.000 to 79.999	40	3 rd Overtone
5.000 to 5.999	80	Fundamental	80.000 to 125.000	90	5 th Overtone

Mechanical Dimensions(mm)



TAIWAN:
 HOSONIC ELECTRONIC CO., LTD.
 23-1 LANE 84, CHUN YING ST. SHULIN CHEN,
 TAIPEI 23804, TAIWAN, R.O.C.

☎ : 886-2-86875200
 📠 : 886-2-26816456

WEB SITE: <http://www.hosonic.com.tw>

CHINA:
 HANGZHOU HOSONIC ELECTRONIC CO., LTD.
 XUNSHAN LIANGZHU TOWN MOGANSHAN ROAD
 HANGZHOU, ZHEJIANG, CHINA

☎ : (86)-571-88778189
 📠 : (86)-571-88778857

Specifications are subject to change without notice