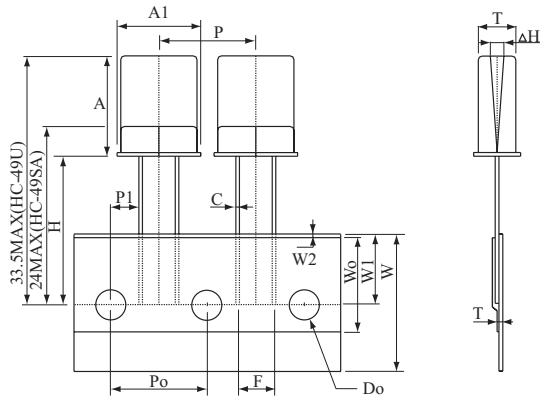


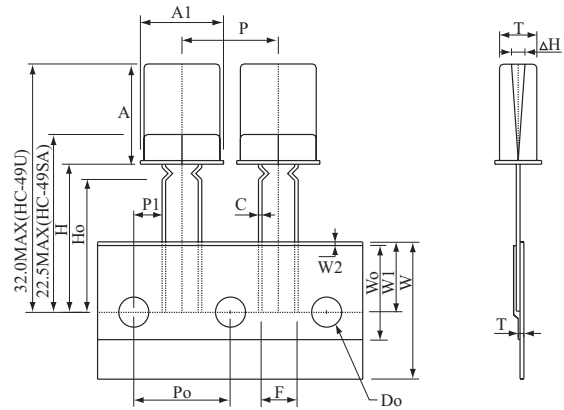


HC-49U, 49S RADIAL TAPING

Straight Type



Forming Type



Specifications

Unit:mm

Item	Symbol	Dimension			
		Straight Type		Forming Type	
		49U	49S	49U	49S
Product Size	A1 × A	11.05 × 13.46Max	11.05 × 3.5Max	11.05 × 13.46Max	11.05 × 3.5Max
Product Thickness	T	4.65Max	4.65Max	4.65Max	4.65Max
Lead of Diameter	C	0.43+0.05	0.43+0.05	0.43+0.05	0.43+0.05
Pitch of Product	P	12.7 ± 1.0	12.7 ± 1.0	12.7 ± 1.0	12.7 ± 1.0
Feed Hole Location	P1	3.81 ± 0.7	3.81 ± 0.7	3.81 ± 0.7	3.81 ± 0.7
Feed Hole Pitch	Po	12.7 ± 0.3	12.7 ± 0.3	12.7 ± 0.3	12.7 ± 0.3
Lead Span	F	5.0 ± 0.5	5.0 ± 0.5	5.0 ± 0.5	5.0 ± 0.5
Angle Tolerance	ΔH	0.0 ± 2°	0.0 ± 2°	0.0 ± 2°	0.0 ± 2°
Tape Width	W	18.0 ^{+1.0} _{-0.5}	18.0 ^{+1.0} _{-0.5}	18.0 ^{+1.0} _{-0.5}	18.0 ^{+1.0} _{-0.5}
Cover Tape Width	W0	12.7 ± 1.0	12.7 ± 1.0	12.7 ± 1.0	12.7 ± 1.0
Tolerance of Leading Hole	W1	9.0 ± 0.5	9.0 ± 0.5	9.0 ± 0.5	9.0 ± 0.5
Feed Hole Location	W2	0.0 ^{+1.0} _{-0.0}	0.0 ^{+1.0} _{-0.0}	0.0 ^{+1.0} _{-0.0}	0.0 ^{+1.0} _{-0.0}
Masking Tape Location	H	20.0 ± 0.5	20.0 ± 0.5	18.0 ± 0.5	18.0 ± 0.5
Crimped Part Location	Ho			16.0 ± 0.5	16.0 ± 0.5
Feed Hole Diameter	Do	4.0 ± 0.2	4.0 ± 0.2	4.0 ± 0.2	4.0 ± 0.2
Feed Hole Center to Product Center	Ho-W1			6.35 ± 0.5	6.35 ± 0.5
Tape Thickness	t	0.6 ± 0.2	0.6 ± 0.2	0.6 ± 0.2	0.6 ± 0.2

TAIWAN:

HOSONIC ELECTRONIC CO., LTD.
23-1 LANE 84. CHUN YING ST. SHULIN CHEN.
TAIPEI 23804. TAIWAN. R.O.C.

☎: 886-2-86875200
☎: 886-2-26816456

CHINA:

HANGZHOU HOSONIC ELECTRONIC CO., LTD.
XUNSHAN LIANGZHU TOWN MOGANSHAN ROAD
HANGZHOU, ZHEJIANG, CHINA

☎: (86)-571-88778189
☎: (86)-571-88778857